



U.S. ARMY TANK AUTOMOTIVE RESEARCH, DEVELOPMENT AND ENGINEERING CENTER



External Business Office (EBO)



Brandon Pender
Assistant Chief of Staff

In the Service





- Technologies that TARDEC has provided to soldiers
 - SAW mount
 - HMMWV Add on Armor (AoA) Kits – Frag 4&5
 - Universal Combat Lock Tool
 - Overhead Gunner Protection
 - RPG Nets
 - Folding Antenna Base
 - Loc Performance
 - RE2

Shaping the Future Force

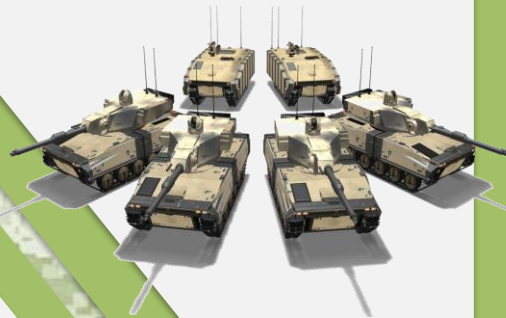


U.S. ARMY
RDECOM



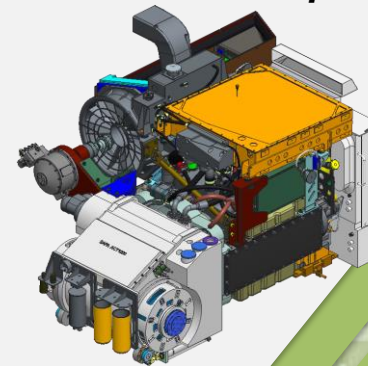
MUM-T, AMAS, Wingman

**Robotics and
Autonomous Systems**



ZH2, OPAC

**Advanced
Powertrain Capabilities**



MAPS & APS

**Advanced
Protection
Systems**

278M

**Next
Generation
Combat Vehicle
Prototyping**



Validating Operational Concepts through Analytical Engineering Capabilities

External Business Office (EBO)



What we do: Identify, pursue and accelerate business opportunities that improve resource utilization for both the Army and external partners.

- **Connect** with others who innovate, develop, demonstrate and accelerate technology
- **Communicate** the Army's ground vehicle technical needs
- **Create** collaborative business agreements

External Business Office

Government



Academia



Defense Industry

International



OTAs



Contact Us



Partnerships & Collaborations



Automotive Industry



Government Agencies



Industry



Professional Organizations



Defense Industry



Non Profit Org



Industry (Small Business)



Academia



Accelerating the infusion of commercially viable technology into military land warfare systems.

Mechanisms for Collaboration



EBO supports TARDEC's engagements with Industry, Academia and Other Government Agencies with several mechanisms.

- Other Transaction Agreements (OTA)
- Small Business Innovation Research (SBIR)
- Small Business Technology Transfer (STTR)
- Test Service Agreement (TSA)
- Cooperative Research and Development Agreements (CRADAs)
- U.S. Army Manufacturing Technology (MANTECH)
- International Partnerships:
 - Data Exchange Agreements (DEA) and Information Exchange Agreements (IEA)
 - International Cooperative Research and Development Agreements (iCRADAs)



Connect with TARDEC



Communicate with Us



Submit technology ideas, questions or plans through the Ground Vehicle Gateway link on the TARDEC Web Site at:

www.army.mil/TARDEC

Engage with Us

- Twice a year TARDEC provides opportunities for you to understand TARDEC Gaps and Needs:
 - **TARDEC's Industry Days** event held every spring (Posted in FedBizOpps)
 - **GVSETS with APBI** held every August (Hosted by NDIA)

